

Z8404/08XE-CL | H.265 5MP Lite DVR series

H.265 4/8CH 5MP Lite Penta-brid Digital Video Recorder



- H.265/H.264 decoding
- Support AHD/TVI/CVI/CVBS/IP video input
- Hybrid extra IP channels input up to 4 channels
- Support 4- or 8-channel 5MP Lite resolution preview and playback
- HDMI output up to 1080P high definition
- Intelligent video analytics functions
- Support multiple web browsers login
- P2P cloud service supported
- ONVIF Profile S compatible

System Overview

DVRs of the Z8400XE/F-CL series could deliver images up to 5MP Lite resolution over advanced H.265 compression. It's an ideal consideration for the balance of quality, performance, and budget.

The friendly GUI provides intuitive shortcut operations, remote control, and management, flexible storage, smart search and playback, these DVRs have been widely used in governmental institutions, banking sectors, manufacturers, educational, and commercial projects.

Powered by the reliable interoperability based on ONVIF Profile S, the DVRs are also compatible with variety of 3rd-party IP cameras.

Functions

H.265 Decoding

Based on advance H.265 decoding technology, the DVR delivers high-quality videos with up to 70% bandwidth saving comparing to traditional H.264.

Penta-brid Video Input

Penta-brid video input mode seamlessly records video from AHD, TVI, CVI, CVBS and IP sources simultaneously, provide an easy integration into existing video surveillance systems while leveraging existing networks, cabling, and cameras.

Intelligent Video Analysis (IVA)

It allows detection of multiple object behaviors, such as Face Detection, Line Crossing, Area Intrusion, Objects Detection, Target Counting, and quickly and accurately responds to monitoring events in a specific area.

Technical Specifications

Model	Z8404XE-CL	Z8408XE-CL
-------	------------	------------

System

Main Processor	Multi-core Embedded Processor	
Operation System	Embedded LINUX	

Video and Audio

Video Input	4CH BNC	8CH BNC
Two-way Talk	Support	
Audio Compression	G.711a	
Audio Bitrate	64Kbps	
AHD Input	5MP, 4MP, 1080P, 720P	
TVI Input	5MP, 4MP, 1080P, 720P	
CVI Input	4MP, 1080P, 720P	
CVBS Input	Support	
IPC Input	6CH 5MP	12CH 5MP
Hybrid Mode	4CH (AHD/TVI/CVI/CVBS)+2CH (IP)	8CH (AHD/TVI/CVI/CVBS)+4CH (IP)

Live View

Display Split	1/4/6	1/4/6/8/9/12
Resolution	5MP Lite/1080P/1080P Lite/720P(1280*720)	
Live View Capability	6CH	12CH

Recording

Video Compression	H.265	
Recording Resolution	5MP Lite/4MP Lite/1080P/720P/960H/D1	
Encoding Capability	4CH 5MP Lite@12fps;4MP Lite@15fps;1080P@15fps;720P/960H/D1@25fps	8CH 5MP Lite@12fps;4MP Lite@15fps;1080P@15fps;720P/960H/D1@25fps
Incoming Bandwidth	64Mbps	
Bitrate	Main Stream: 11Kbps ~ 4096Kbps Sub Stream: 50Kbps ~ 700Kbps	
Record Mode	Manual/External Alarm/ Motion/Scheduled/IVA Alarm	
Record Interval	1-120min (default: 60min), Pre-record: 1~30 sec, Post-record: 10~300 sec	

Playback and Backup

Playback Channel	1/4/6	1/4/8/9
Search Mode	IVA Search/Time/Motion Detection	
Playback Function	Play, Stop, Play Forward, Play Backward, 30 Seconds Forward, 30 Seconds Backward, Fast Play, Slow Play, Single Frame Play, Hide/Show Time Bar, Backup, Snapshot, Full Screen	
Backup Mode	USB Device/Network Remote	

IVA Alarm

Local IVA Functions	Target Counting, Object Abandon/Missing, Intrusion, Tripwire, Human Detection
Regular Detection	Motion Detection/Video Tampering/Video Loss
AI Search	Support search target video by multiple intelligent conditions

Network

Network Protocol	TCP/IP, HTTP, DDNS, SMTP(SSL), DHCP, PPPoE, UPnP, NTP, P2P, ONVIF
Max. Online User	5
Web Browser	IE / Safari / Google Chrome / Firefox
Operation System	Windows
Management Platform	AntarVis 2.0 / ZKBioAccess IVS / ZKBioSecurity V5000
Mobile Application	AntarView Pro (iOS & Android)
P2P Cloud Service	Support
Interoperability	ONVIF Profile S, SDK

Storage & Auxiliary Interface

SATA Ports	1 SATA (up to 8TB)
eSATA	N/A
Raid 0/1/5/6/10	N/A
HDMI	1*HDMI (1080P)
VGA	1*VGA (1080P)
Network Interface	1 RJ-45 Port (10/100Mbps)
USB	2*USB 2.0
Audio Input/Output	4 input / 1 output
Audio over Coaxial (AoC)	Support
Alarm Input/Output	N/A
RS-485	N/A
POS	Support

Power

Power Supply	DC 12V/2A
Power Consumption	Max. 24W without HDD

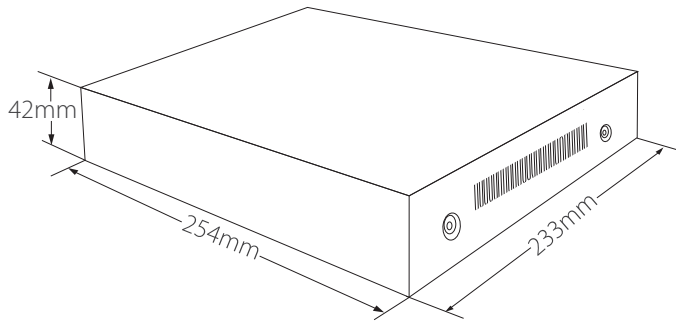
General

Casing	1U
Working Temperature	-10°C ~ 55°C
Working Humidity	10% ~ 90%
Dimensions (L*W*H)	233 * 254 * 42 (mm)
Net Weight	0.91kg
Gross Weight	1.41kg

Ordering Information

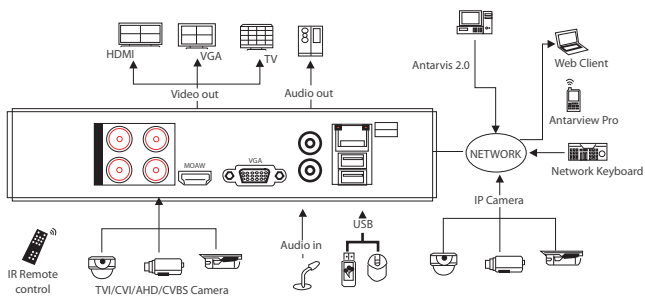
Type	Part Number	Description
H.265 DVR	Z8404XE-CL	4CH H.265 5MP Lite 1 SATA DVR
	Z8408XE-CL	8CH H.265 5MP Lite 1 SATA DVR

Dimensions (mm)



Rear Panel

Z8404XE-CL



Z8408XE-CL

